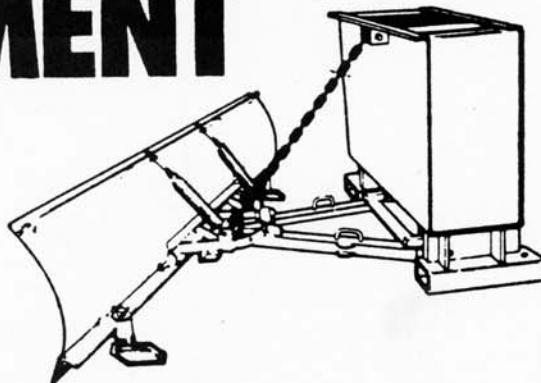




# SNOW REMOVAL EQUIPMENT



## Snow Plow

Adjustable angle plow banks snow left, right or straight ahead. Integral ballast box helps maintain traction on slippery surfaces.

- **Easy plow angle adjustment** — simply pull the sector pin and swing the moldboard; can be angled  $27\frac{1}{2}^{\circ}$  left or right.
- **Trip-action moldboard safety feature** — should blade hit an unseen object, trip spring allows the moldboard to trip forward and rebound from damage.
- **Integral ballast box** — full  $\frac{1}{4}$  cubic yard capacity can be filled with sand, gravel or other weighty materials. Gives pneumatic-tired lift trucks extra traction to clear snow from slippery parking lots, sidewalks, storage areas, loading sites.
- **Adjustable plow height** — set by adding or removing washers from the plow runners and retention springs prevent the plow from overriding.

## Adjustable Angle Snow Plow Specifications

Model No.	Width (In.)	Height (In.)	Angled Width (In.)	Weight (Lbs.)
SP8425	84	25	74	680
SP9025	90	25	79	700

Ballast box integral part of the plow mounting.

If fork size is greater than 3" x 7", contact factory for pricing.

Fork mounting: 30" long x 7½" wide x 3½" high. Pockets 24" apart. Total out-to-out spread 40¼".



201 W. Oklahoma Ave.  
(580) 227-3711

Fairview, OK 73737  
FAX 580-227-2165